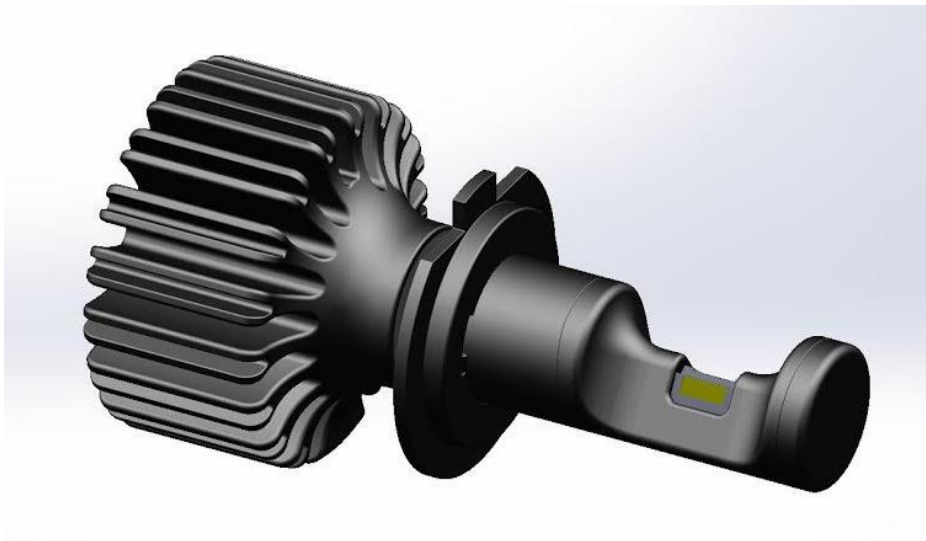


Carbonado

LED Headlight

MacAdam Corporation

Lighting Forward



EN LED headlight manual

JP LED ヘッドランプ取扱説明書

0 Check before installation

- ✓ Check the product barcode to ensure the product from MacAdam Corporation.
- ✓ Make sure the product is right for your vehicle.

1 Inside the Box



LED headlight x 2

base ring x 2 [only for H4 & H7]

LED headlight manual x 1

2 Important Notice

Please read this instruction carefully before installing LED headlight into your vehicle.

⚠ Attention:

- ✓ Ensure the LED headlight are not damaged or broken, and have not fallen on the ground. If any of these situations find, please do not install LED headlight into your vehicle.
- ✓ The temperature of LED headlight surface can be very high and thus do not place flammable materials, such as paper, cloth, or other materials, close to the LED headlight.
- ✓ LED headlight should be kept far away from the areas that are exposed to flames, such as gas station and as well as the areas of dust or oil.
- ✓ This LED headlight can only be used on the legally approved vehicles.

⚠ Warning

- ✓ The temperature of LED headlight surface can be very high and do not touch with hands otherwise may cause serious burns.
- ✓ LED headlight light intensity may be extremely high while operating. Do not look directly to avoid damage to the eyes.
- ✓ Do not wash your car while the LED headlights are turned on.

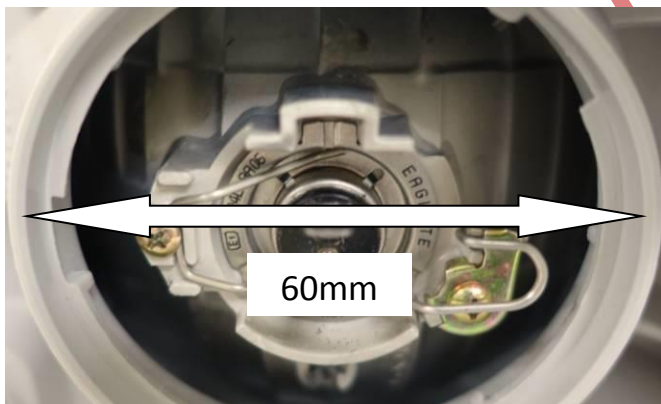
- ✓ The driver box is waterproof however, do not place the driver box into the water.
- ✓ Please ensure the temperature of installation areas cool while installing LED headlight.
- ✓ Keep out from children.

⚠ Other Issues

- ✓ After installation, check the normal, flashing mode, and other electrical equipment on the dashboard are working properly without any warning appears.
- ✓ After installation, ensure that waterproof cover sealed correctly to prevent water leakage.
- ✓ Please keep driver box away from the engine area.
- ✓ Please do not tie the wire or driver box with the parts can produce heat or can be moved.
- ✓ Do not bend the wire, especially the wire closed to driver box and LED headlight.

3 Pre-installation checking list

- ✓ Ensure there is at least 60mm space as the figure-1.



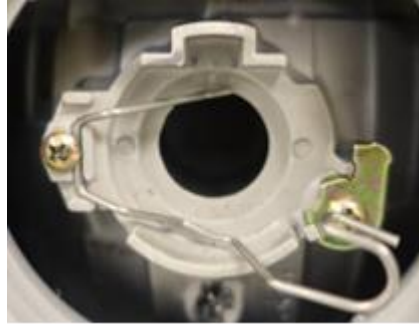
- ✓ Please make sure the headlight fixture has the metal spring or similar attachment. Use the metal spring to attach LED headlight shown as figure-2.



- ✓ Ensure the LED headlight in good condition without any damage or scratch.
- ✓ Strongly recommend to ask professional technician to install the LED headlight.
- ✓ **The LED headlight may not be suitable on your vehicle. Please check your vehicle manual or our sales personnel to confirm compatibility.**
- ✓ Please adjust LED headlight to find the position for right light pattern after installation.
- ✓ If LED headlight is not working properly, please reinstall the original bulb.

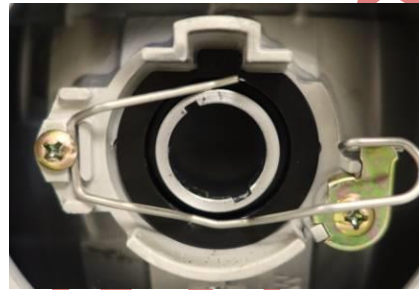
4 How to install

- ✓ Take out bulb and remove from power socket.



- ✓ Put the LED headlight base ring into the fixture correctly and use metal spring to attach firmly. Refer to figure-3.

- ✓ Gently assemble LED headlight body into the base ring and turn right to fasten firmly. Refer to figure-4

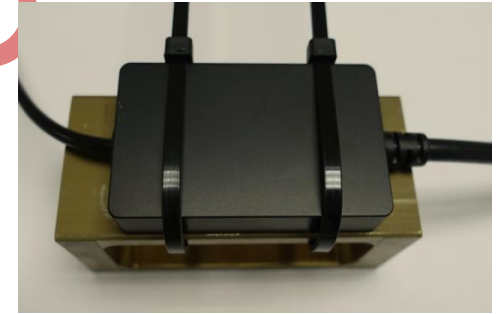


- ✓ Adjust LED headlight to the position for the correct light pattern.



- ✓ Please tie driver box to the proper position which should be far away from the engine or the parts which produce heat or can move easily.

place.



- ✓ Connect the power.



- ✓ Check LED headlight working.

- ✓ Adjust LED headlight to the right position for the correct light pattern.

- ✓ Store the original bulb and manual in safe

5 Troubleshooting

- ✓ If LED headlight can not operate, please check as below:
 1. If power connections are ok?
 2. If headlight switch is "ON" ?
 3. Ensure the battery has enough power to operate.

6 Recycling

- ✓ The product is made by high quality materials which could be recycled and reused.
- ✓ Do not dispose the product with other waste. Please follow the local regulation on recycling electrical or electronic products.

7 Warranty/Customer service

- ✓ If you have any question on this product or need any information or help, please visit www.macadam.com.tw or MacAdam Corporation service center. If there is no service center in your country, please consult local legal dealers.

Warranty

MacAdam guarantee its LED headlight to be free from defects in material and/or workmanship under normal non-commercial use for a period of three (3) years from the date of purchase (Need to register on official site within seven (7) days after purchase). MacAdam does not warrant its LED headlight against any defect or damage caused by transportation, storage, improper installation, maintenance, internal or external hostile environment, misuse, negligence, accident, modification, tampering, the attachment of any unauthorized accessories, alteration to the goods, or any other conditions whatsoever that do not constitute a defect in material and/or workmanship. MacAdam sole responsibility under this warranty shall be, at its option, to either repair or replace any LED headlight which fails during the warranty period, provide that Buyer has promptly reported same to MacAdam in writing and complies with the provisions of this warranty.

In case of warranty claim, please provide the following information together with proof of purchase:

Name

Address

Telephone

E-mail

Purchased from: (Provide the name of retail store and location)

Product Code [QR code]